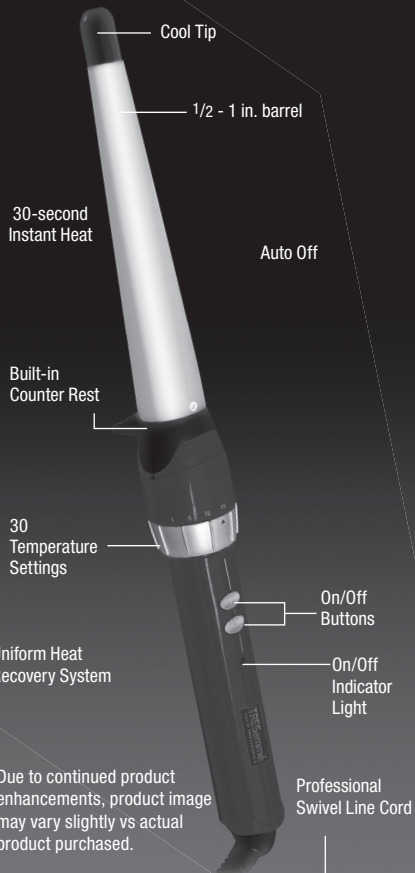


GET TO KNOW YOUR CURLING WAND



USER MAINTENANCE

Your curling wand is virtually maintenance free. No lubrication is needed. Keep all vents and openings clear of dirt and dust. If cleaning becomes necessary, disconnect the unit from the power source, allow to cool and wipe exterior with a cloth. If any abnormal condition occurs, unplug the unit, allow it to cool, and return it for repair to an authorized service representative only. No repairs should be attempted by the consumer.

CAUTION

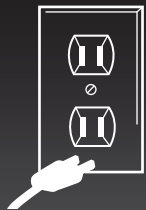
NEVER allow the power supply cord to be pulled, twisted, or severely bent. Never wrap the cord tightly around the appliance. Damage will occur at the high flex point of entry into the appliance, causing it to rupture and short circuit. Inspect the cord frequently for damage. Stop use immediately if damage is visible or if unit stops or operates intermittently.

STORAGE

When not in use, your appliance is easy to store. Allow appliance to cool, then simply store out of reach of children in a safe, dry location. Do not jerk or strain cord at plug connections. Do not wrap the line cord around the appliance. Allow the cord to hang or lie loose and straight at the point of entry into the appliance.

**WARNING:
IF YOU THINK
THE POWER IS OFF
WHEN THE SWITCH
IS OFF,
YOU'RE WRONG.**

KEEP AWAY FROM WATER



Everyone knows that electricity and water are a dangerous combination. But did you know that an electric appliance is still electrically live even if the switch is off? If the plug is in, the power is on. So when you are not using your appliances, keep them unplugged.

**ALWAYS UNPLUG
SMALL APPLIANCES**

LIMITED TWO-YEAR WARRANTY (U.S. AND CANADA ONLY)

Conair will repair or replace, at our option, your appliance free of charge for 24 months from the date of purchase if the appliance is defective in workmanship or materials.

To obtain service under this warranty, return the defective product to the service centre listed below, together with your purchase receipt.

In the absence of a purchase receipt, the warranty period shall be 24 months from the date of manufacture.

ANY IMPLIED WARRANTIES, OBLIGATIONS, OR LIABILITIES, INCLUDING BUT NOT LIMITED TO THE IMPLIED WARRANTY OF MERCHANTABILITY AND FITNESS FOR A PARTICULAR PURPOSE, SHALL BE LIMITED IN DURATION TO THE 24-MONTH DURATION OF THIS WARRANTY.

IN NO EVENT SHALL CONAIR BE LIABLE FOR ANY SPECIAL, INCIDENTAL, OR CONSEQUENTIAL DAMAGES FOR BREACH OF THIS OR ANY OTHER WARRANTY, EXPRESS OR IMPLIED, WHATSOEVER.

This warranty gives you specific legal rights, and you may also have other rights, which vary from province to province.

SERVICE CENTRE :

CONAIR CONSUMER PRODUCTS ULC

100 Conair Parkway, Woodbridge, Ont. L4H 0L2

Printed in China

1-855-926-6247

Visit our Web site: www.conaircanada.ca

Consumer Call Centre E-mail:

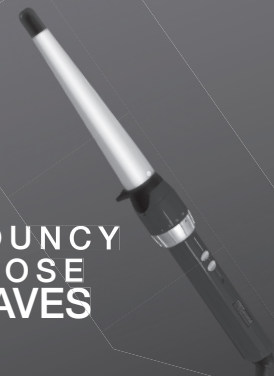
Consumer_Canada@Conair.com

©2020 CONAIR CONSUMER PRODUCTS ULC

20CN073525

IB-16917

TRESemmé
USED BY PROFESSIONALS



**BOUNCY
LOOSE
WAVES**

Have a Question?

Please do not return this product to the retailer.

Call Us First!

Our customer service and product experts are ready to answer ALL your questions.

Please call our TOLL-FREE customer service number at: 1-855-926-6247 or visit us online at www.conaircanada.ca

**Instruction & Styling Guide
Model CD717TC**

IMPORTANT SAFETY INSTRUCTIONS

When using electrical appliances, especially when children are present, basic safety precautions should always be followed, including the following:

READ ALL INSTRUCTIONS BEFORE USING

KEEP AWAY FROM WATER

DANGER — Any appliance is electrically live even when the switch is off. To reduce the risk of death by electric shock:

1. Always unplug appliance immediately after using.
2. Do not use while bathing or in the shower.
3. Do not place or store appliance where it can fall or be pulled into a tub or sink.
4. Do not place in, or drop into, water or other liquids.
5. If an appliance falls into water, unplug it immediately. **Do not reach into the water.**

WARNING — To reduce the risk of burns, electrocution, fire, or injury to persons:

1. This appliance should never be left unattended when plugged in.
2. Do not pull, twist, or wrap line cord around appliance.
3. Close supervision is necessary when this appliance is used by, on or near children or individuals with certain disabilities.
4. Use this appliance only for its intended use, as described in this manual. Do not use attachments

not recommended by the manufacturer.

5. **Never operate this appliance if it has a damaged cord or plug, if it is not working properly or if it has been dropped or damaged, or dropped into water. Return the appliance to an authorized service center for examination and repair.**

6. Keep the cord away from heated surfaces.
7. Never use while sleeping.
8. Never drop or insert any object into any opening or hose.
9. Do not use outdoors or operate where aerosol (spray) products are being used or where oxygen is being administered.
10. Unit is hot when in use. Do not let heated surfaces touch eyes or skin.
11. **Do not place the heated unit directly on any surface while it is hot or plugged in.**
12. Never block the air openings of the appliance or place on a soft surface such as a bed or couch, where the air openings may be blocked. Keep the air openings free of lint and other debris.
13. Do not use an extension cord with this appliance.
14. Do not touch hot surfaces of the appliance. Use handles or knobs.
15. Do not attempt to touch the housing of your appliance near the barrel, as it is hot when in use.
16. Do not use with a voltage converter.
17. Before plugging in, read the information about dual voltage in the Operating Instructions section of this manual.
18. This appliance is not a toy. Keep away from children.

SAVE THESE INSTRUCTIONS

OPERATING INSTRUCTIONS

Use on Alternating Current (50/60 Hz) only. This unit is designed to be operated at 120/240V. This appliance has a polarized plug (one blade is wider than the other). As a safety feature, this plug will fit in a polarized outlet only one way. If the plug does not fit fully in the outlet, reverse the plug. If it still does not fit, contact a qualified electrician. Do not attempt to defeat this safety feature.

DUAL VOLTAGE

This curling wand will automatically adjust to the proper voltage. Use adapter plug with correct configuration prior to use in outlet.

NOTE: Due to high heat temperatures, this styler should not be used on hair extensions.

GETTING STARTED

Hair should be clean and completely dried before using the curling wand. Plug the wand into an electrical outlet. Turn on unit. Allow unit to heat up for 30 seconds.

WARNING: The curling wand's barrel will get very hot within a few seconds and should not be placed in contact with the skin after the curling wand has been turned on.

The wand's unique 30 high heat temperature settings and Instant Heat technology provide styling versatility for all hair types. If you have fine hair, a low temperature will provide the best results. If you have thick, wavy or hard-to-curl hair, keep the heat setting on high. You can vary the wand's temperature according to your particular need!

Temperature Setting Guide

Temp. Control	Hair Type
Low 1 – 5	Delicate, thin, or easy-to-curl hair
Medium 6 – 10	Average to thick or treated hair
Med/High 11 – 15	Thick or wavy hair
High/Max 16 – 20	Hard-to-style, resistant hair
Maximum 21 – 30	Very resistant hair

TO CURL HAIR

For best results, use a light styling product before blow-drying hair.

- 1 Take a 1 in. wide section of hair, starting 2 in. from the scalp.
- 2 Wind the section of hair around the thicker portion of the barrel towards the cool tip.



- 3 Hold the ends of the hair in place at the cool tip for 5–8 seconds depending on hair type, and then release. No clamp allows you to easily curl hair without kinks. For tighter, bouncier curls, roll less hair. For loose, free-flowing curls, roll more hair. To "set" the curl, do not comb or brush curls until cool.
- 4 Repeat process on additional sections of hair until you achieve the hair style you desire. Some experience is necessary when learning to use this curling wand. After using several times, you will learn the ideal way to curl and style your hair.

IMPORTANT

Never leave your curling wand on and unattended. However, should you fail to turn the wand off, it will shut itself off automatically in approximately 60 minutes at 60Hz, 72 minutes at 50Hz.

USING INSTANT HEAT AND THE 30 HIGH HEAT TEMPERATURE SETTINGS

This Instant Heat technology has 30 high heat temperature settings. There is a temperature range that's gentle and safe for every type of hair, from the finest to the most resistant, and helps you create the look you want.

UNIFORM HEAT RECOVERY SYSTEM

Conair's professional salon standards of engineering provide you with a uniform and improved heat recovery system that maintains the wand at constant temperatures. There is a constant surge of power to ensure that heat is continuously and quickly delivered for optimal styling results, unlike other units, which lose heat during use. This provides consistent styling power so that every strand of your hair is set with the same level of heat and comes out the same way for a perfect finish.